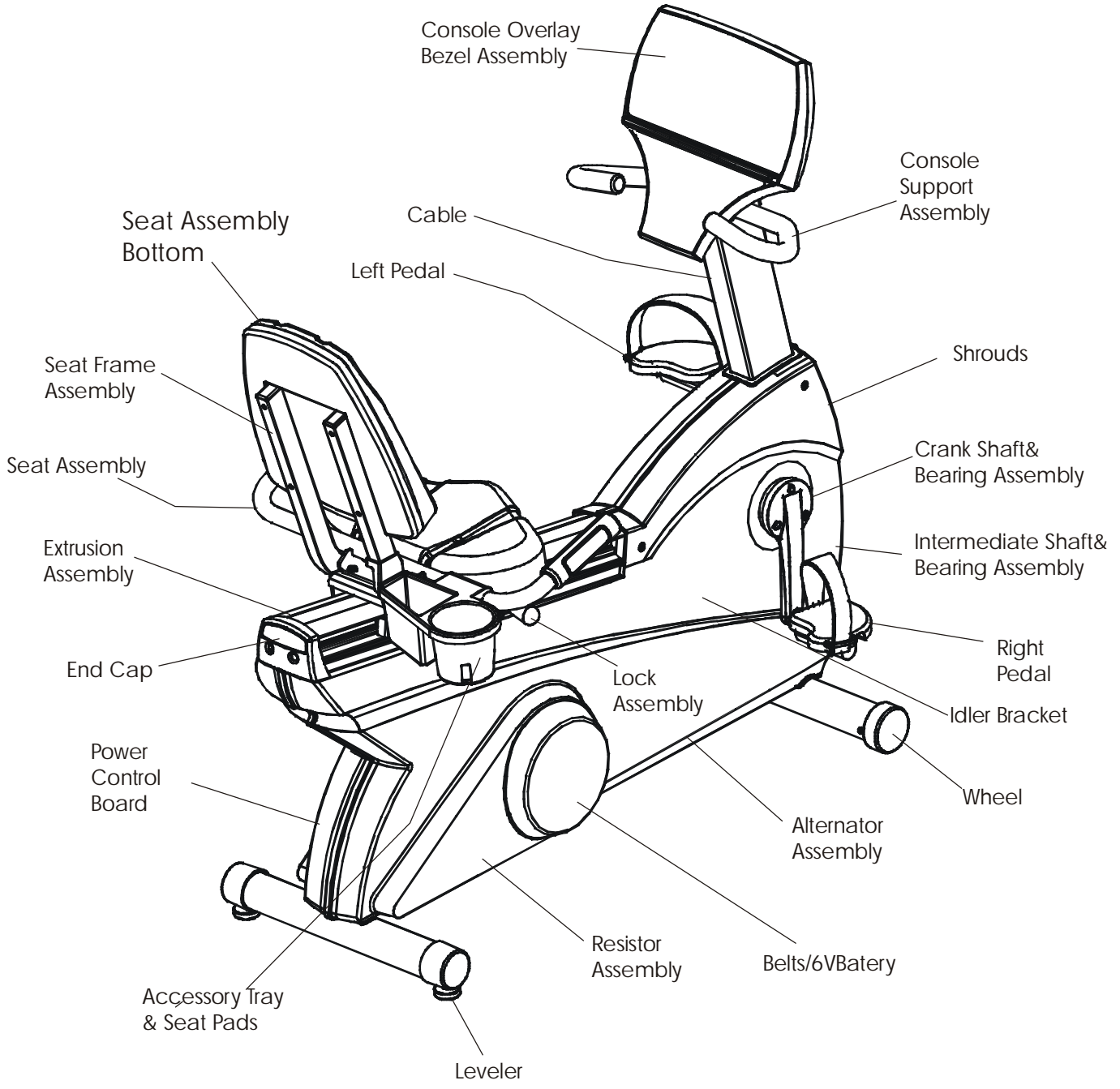


# LifeCycle Recumbent Bike - Model R7-0100-02 S/N CEJ100001

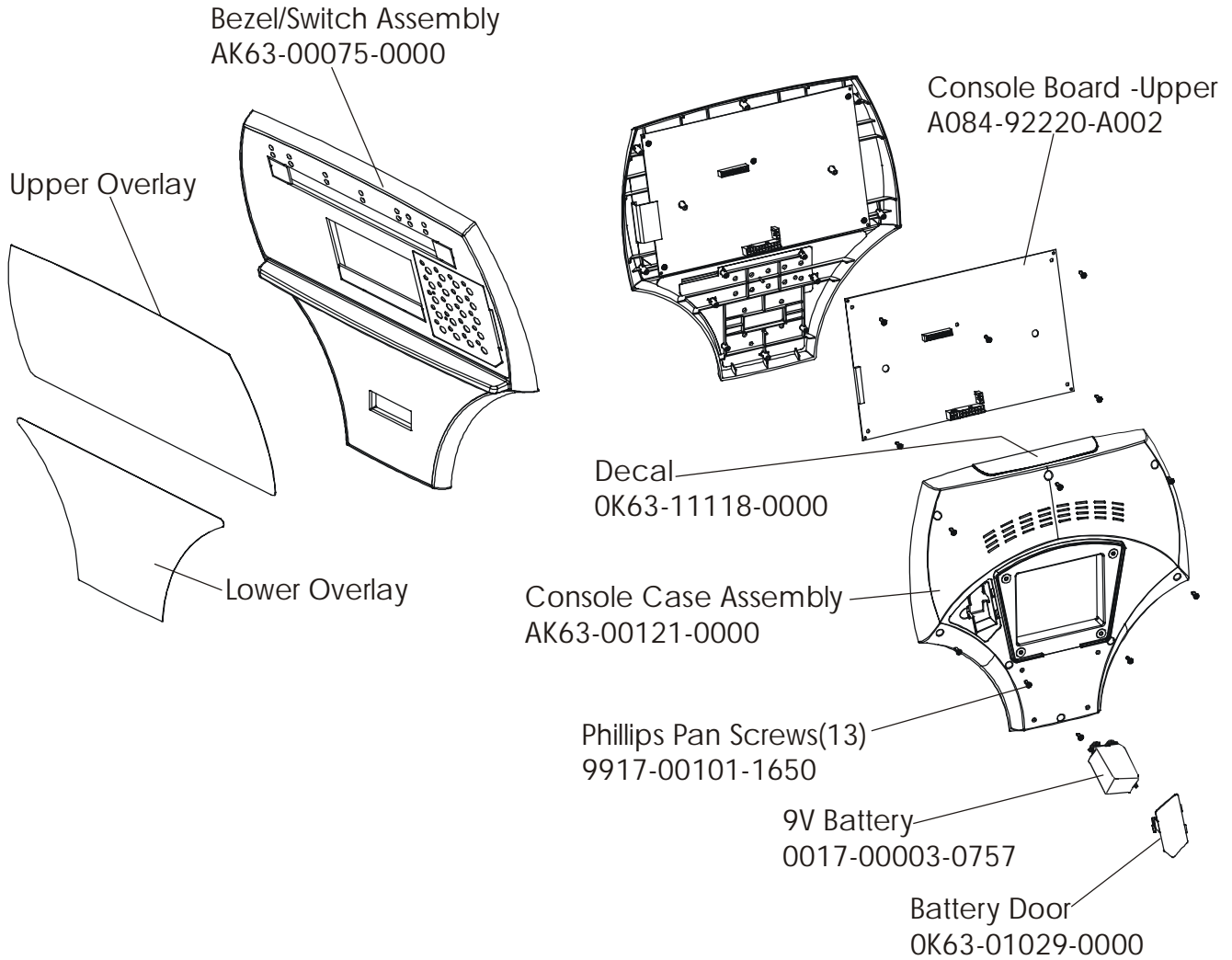
## Unit Assembly



Operation Manual	M051-00K20-A347
Service Manual	M051-00K39-A012

# LifeCycle Recumbent Bike - Model R7-0100-02 S/N CEJ100001

## Console Overlay Bezel Assembly

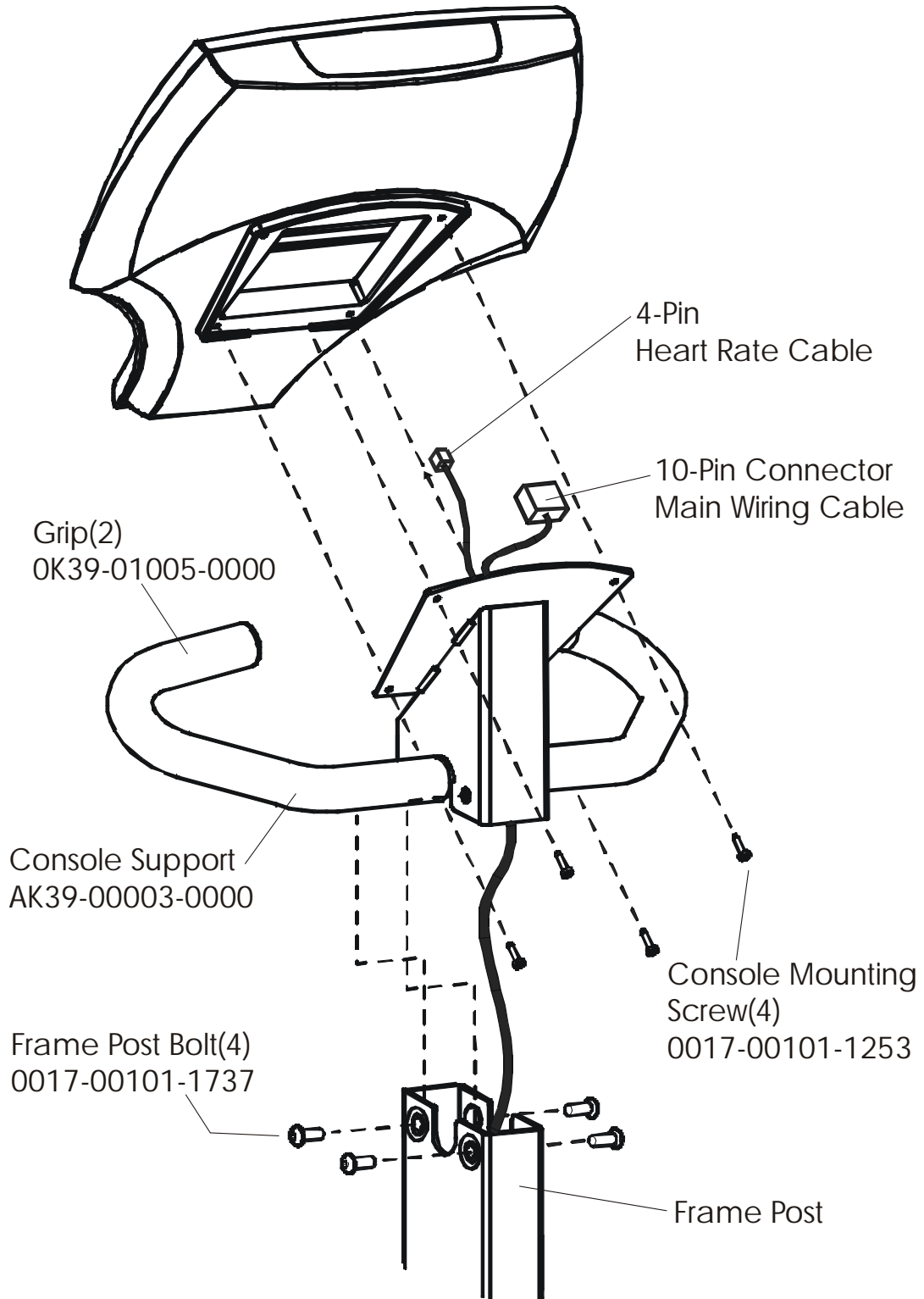


LC R7 Recumbent			
Console Assembly	Overlay Bezel	Upper Overlay	Lower Overlay
AK39-00058-0001 Eng Met	AK63-00082-0001 Eng Met	OK63-01172-0001 Eng Met	OK47-01082-0001 Eng Met
AK39-00058-0003 Ger Met	AK63-00082-0003 Ger Met	OK63-01172-0003 Ger Met	OK47-01082-0003 Ger Met
AK39-00058-0004 Spn Met	AK63-00082-0004 Spn Met	OK63-01172-0004 Spn Met	OK47-01082-0004 Spn Met
AK39-00058-0006 Jap Met	AK63-00082-0006 Jap Met	OK63-01172-0006 Jap Met	OK47-01082-0006 Jap Met
AK39-00058-0007 Frn Met	AK63-00082-0007 Frn Met	OK63-01172-0007 Frn Met	OK47-01082-0007 Frn Met
AK39-00058-0008 Itl Met	AK63-00082-0008 Itl Met	OK63-01172-0008 Itl Met	OK47-01082-0008 Itl Met
AK39-00058-0009 Itl Met	AK63-00082-0009 Itl Met	OK63-01172-0009 Itl Met	OK47-01082-0009 Itl Met
AK39-00058-0010 Por Met	AK63-00082-0010 Por Met	OK63-01172-0010 Por Met	OK47-01082-0010 Por Met

**LifeCycle Recumbent Bike - Model R7-0100-02 S/N CEJ100001**

**Console Support Assembly**

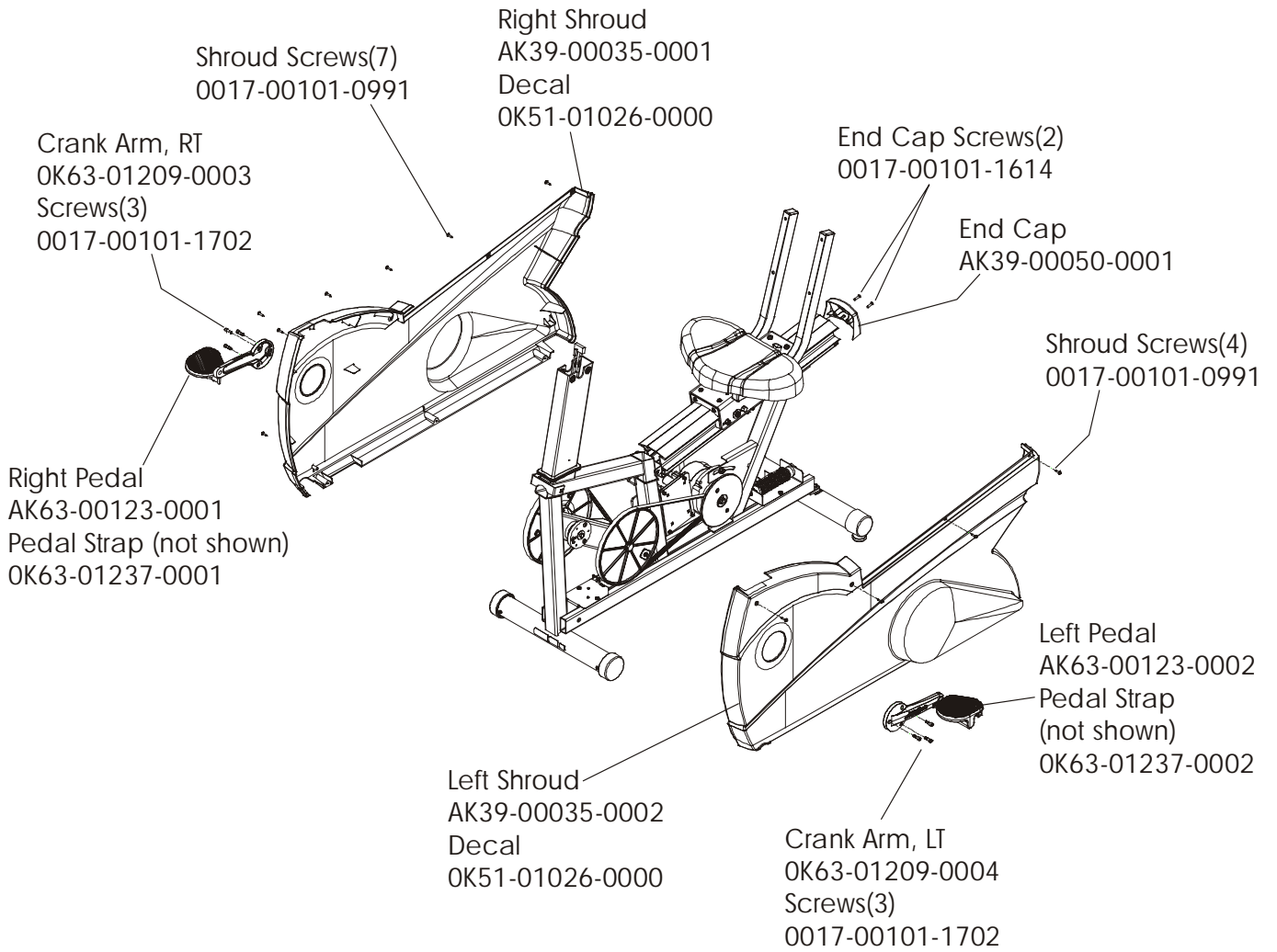
---



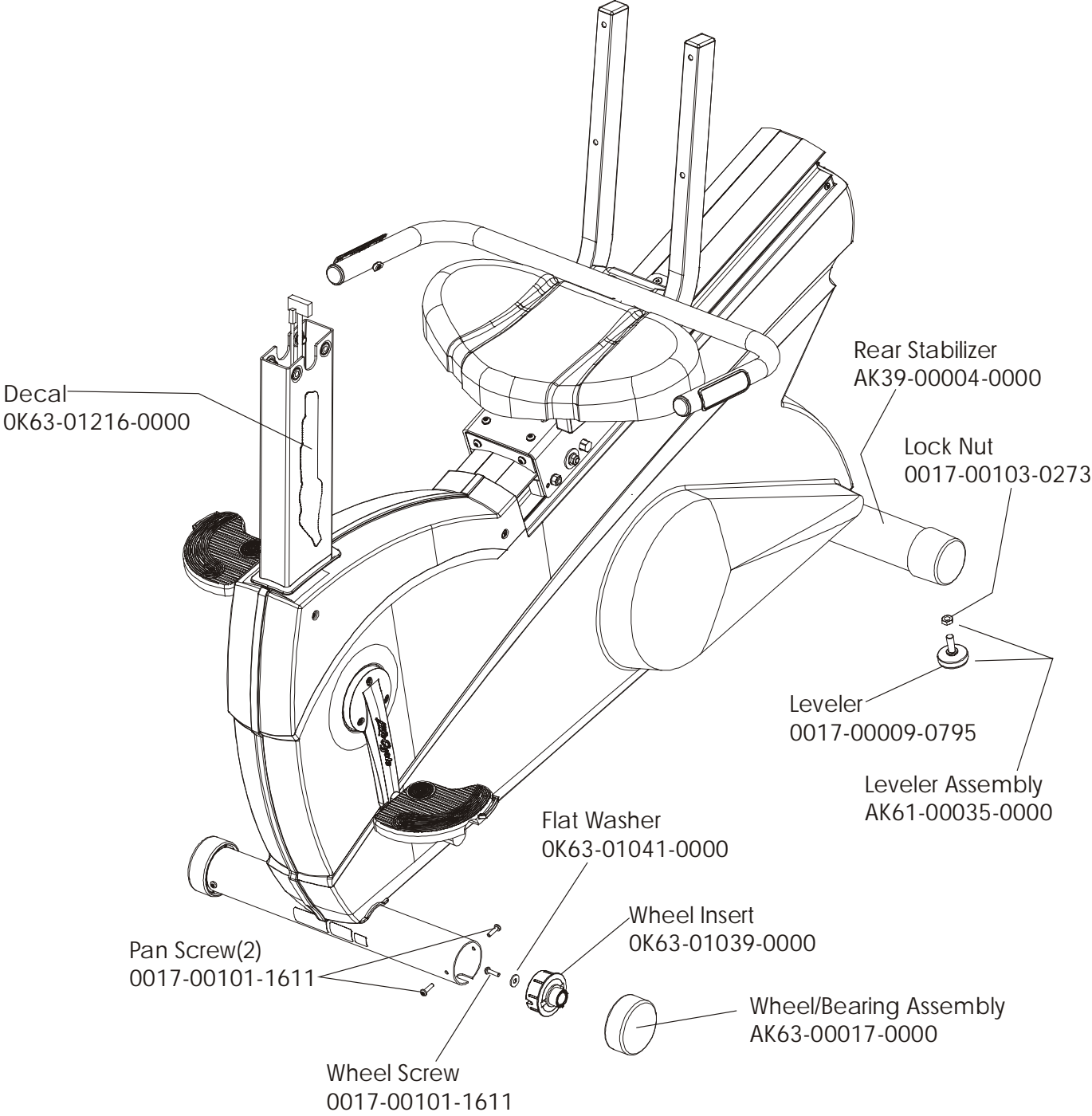
# LifeCycle Recumbent Bike - Model R7-0100-02 S/N CEJ100001

## Shrouds, End Cap, and Pedals

---



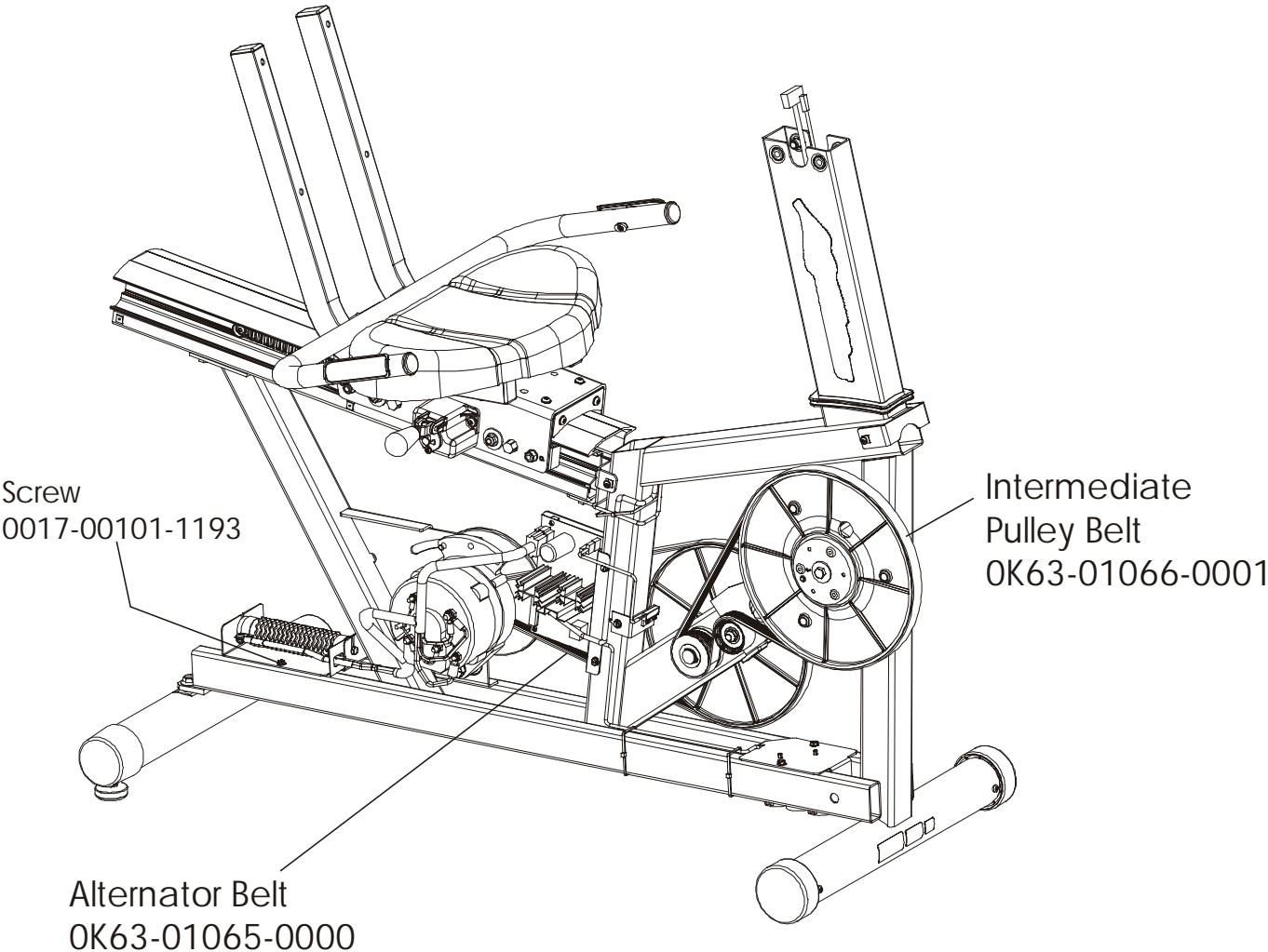
**Wheel and Leveler**



**LifeCycle Recumbent Bike - Model R7-0100-02 S/N CEJ100001**

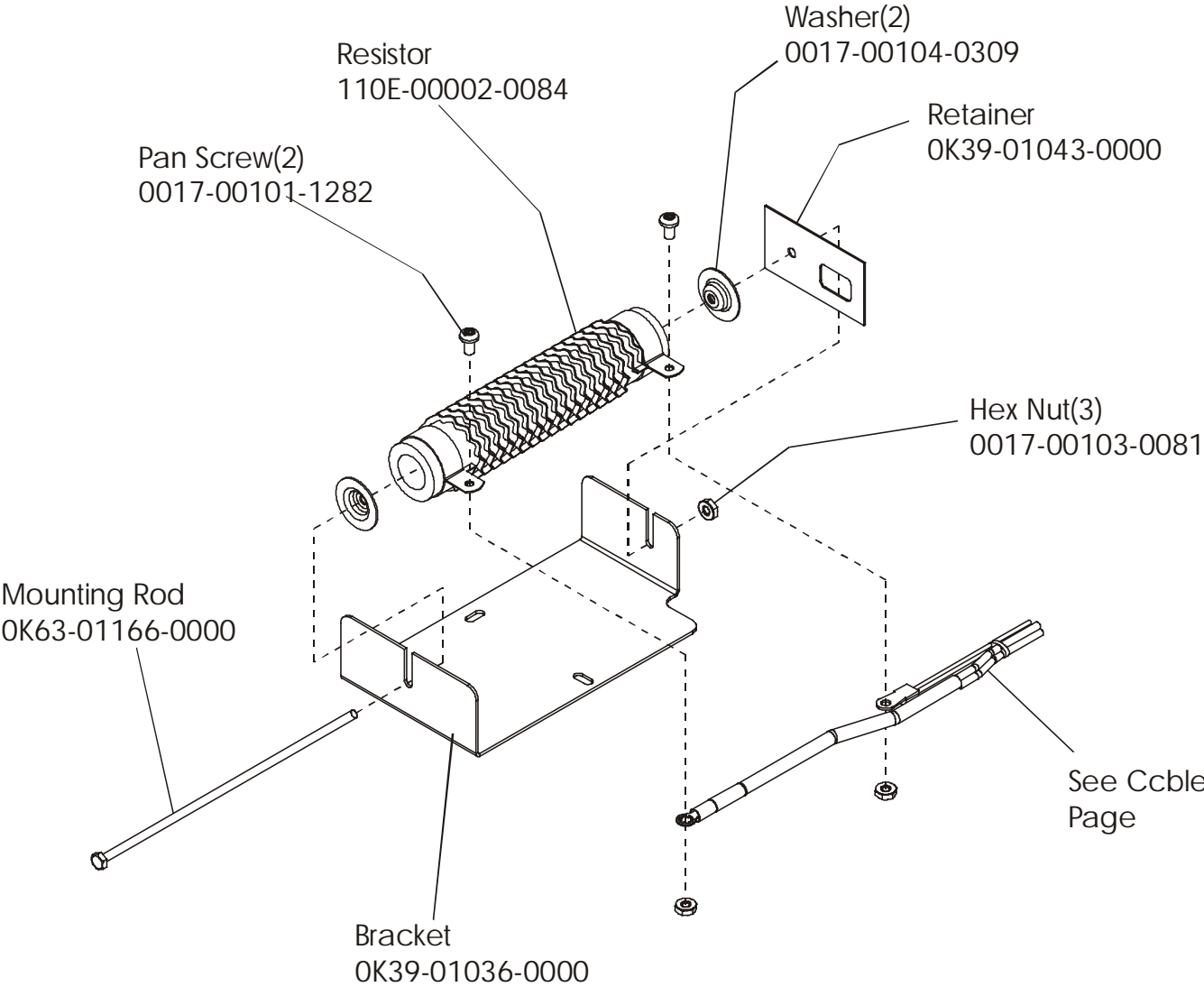
**Belts and 6V Battery**

---



**Resistor Assembly**

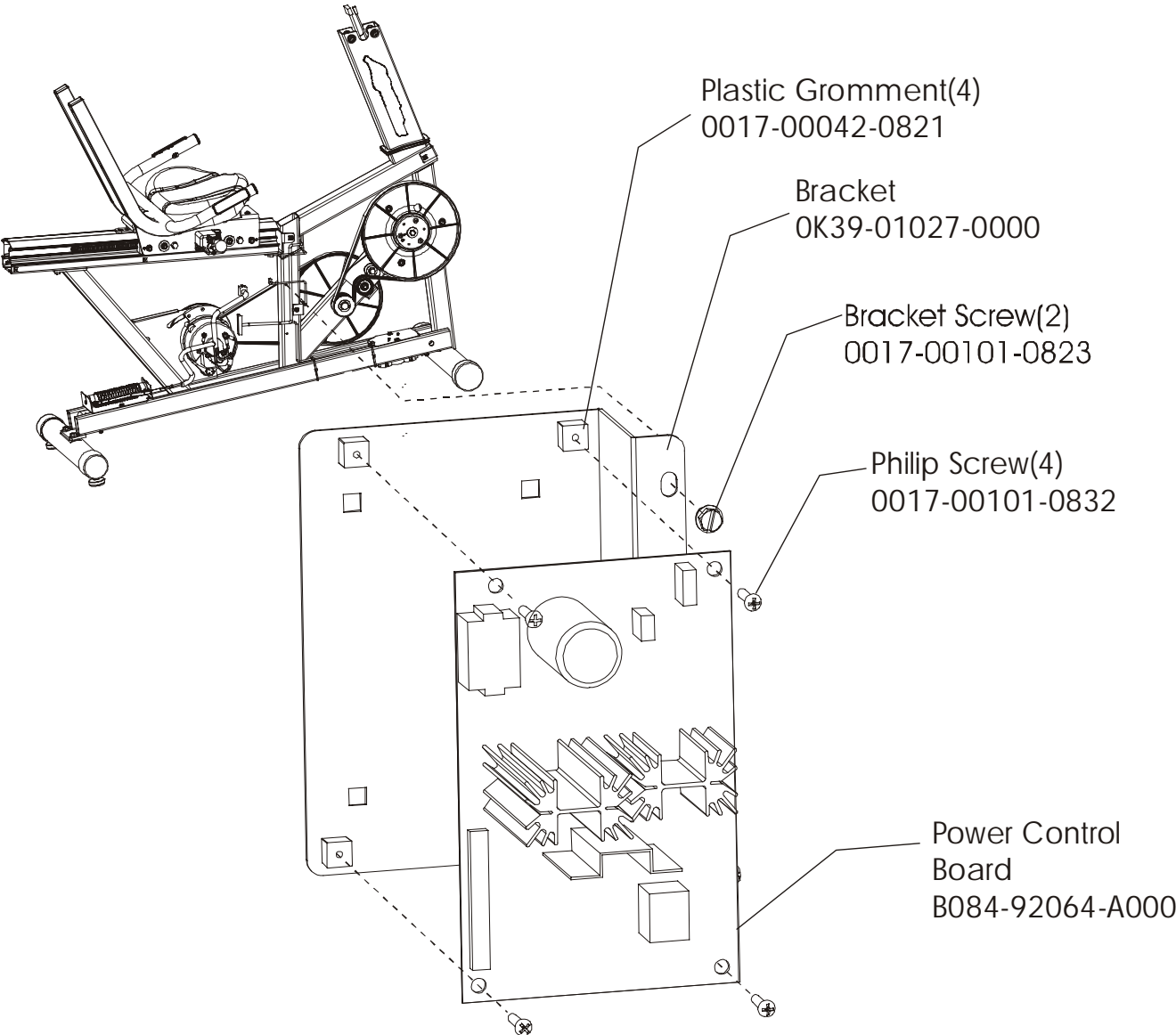
---



**LifeCycle Recumbent Bike - Model R7-0100-02 S/N CEJ100001**

**Power Control Board - AK39-00022-0002**

---

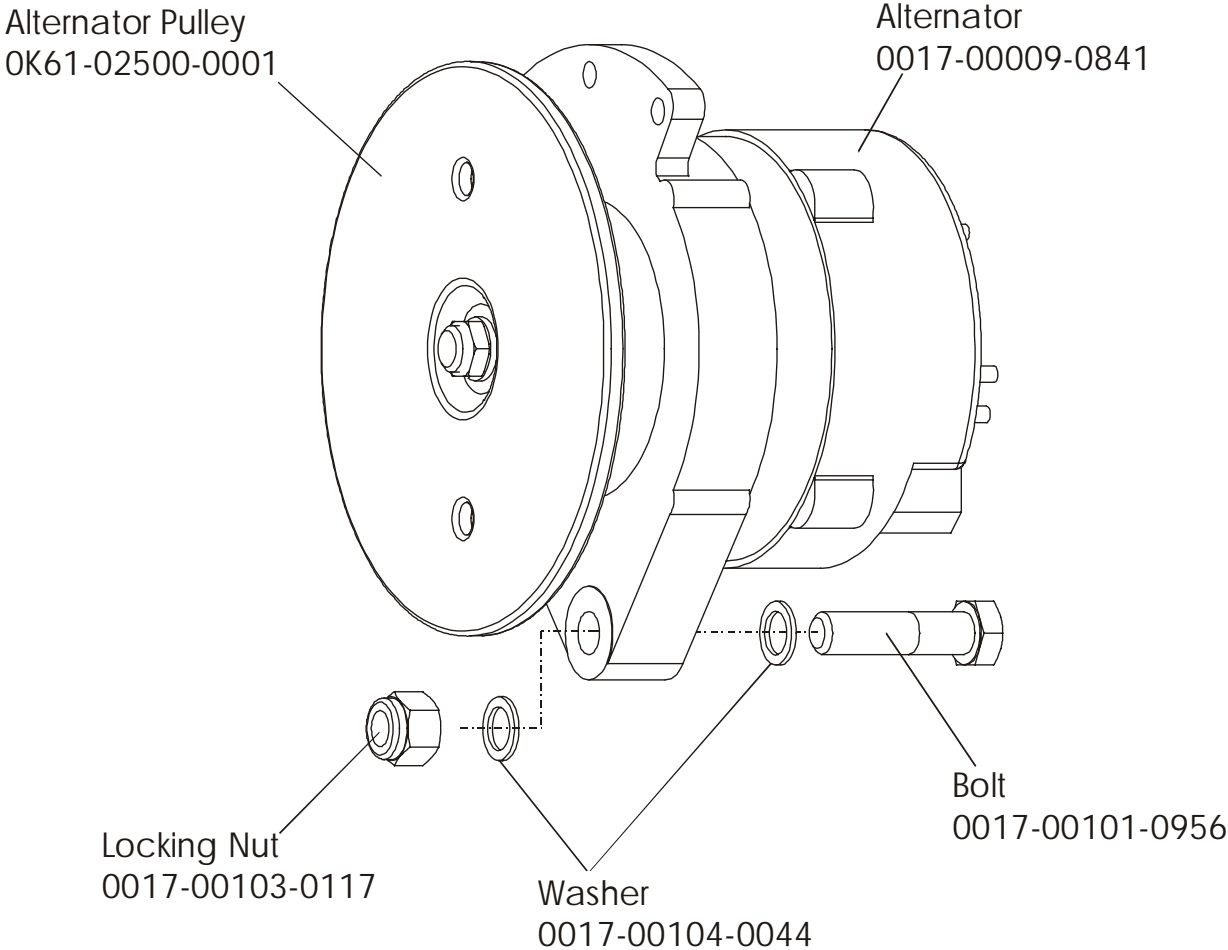




**LifeCycle Recumbent Bike - Model R7-0100-02 S/N CEJ100001**

**Alternator w/Pulley - AK63-00093-0000**

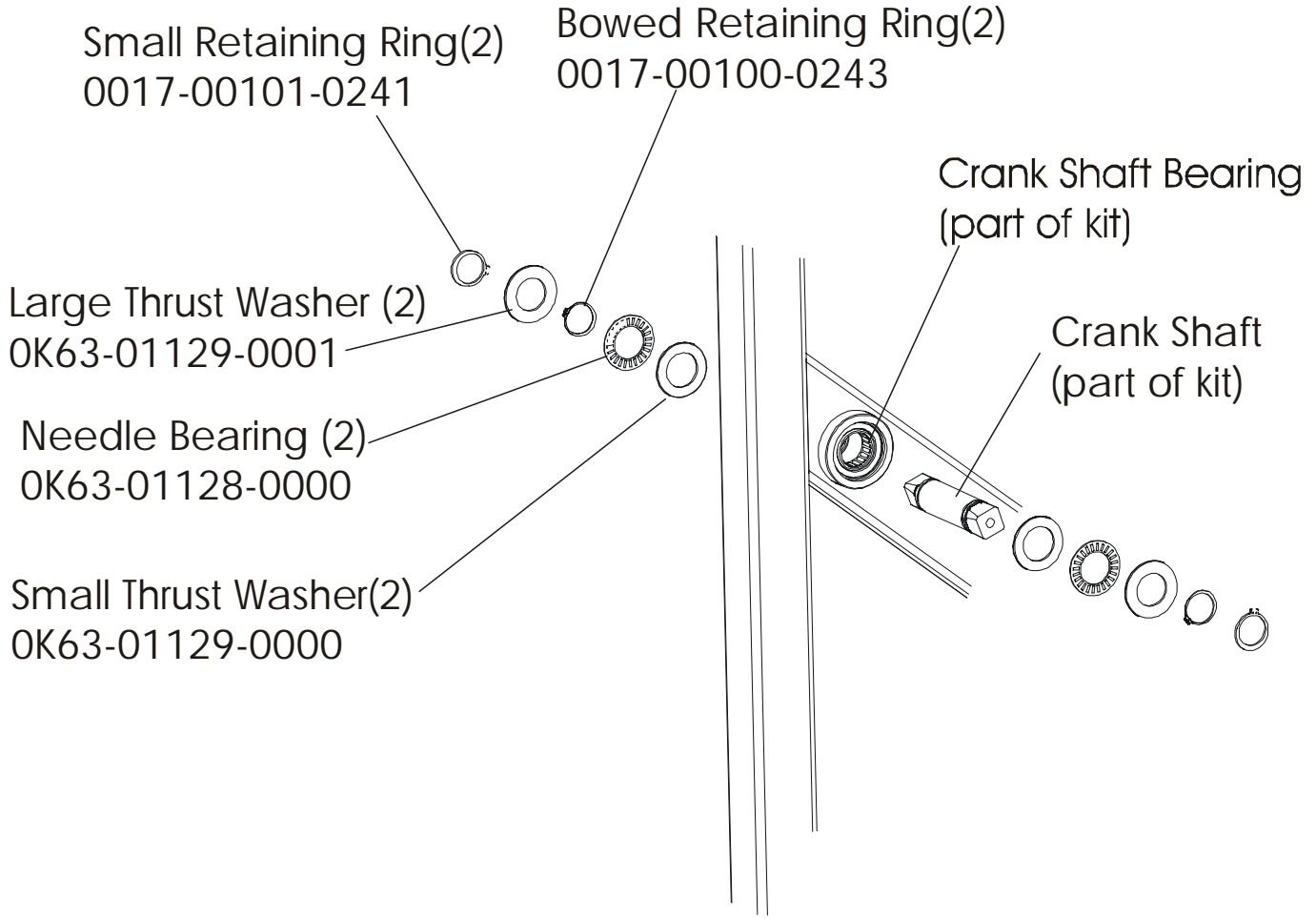
---



**LifeCycle Recumbent Bike - Model R7-0100-02 S/N CEJ100001**

**Crank Shaft and Bearing Assembly – GK63-00002-0006 Kit**

---

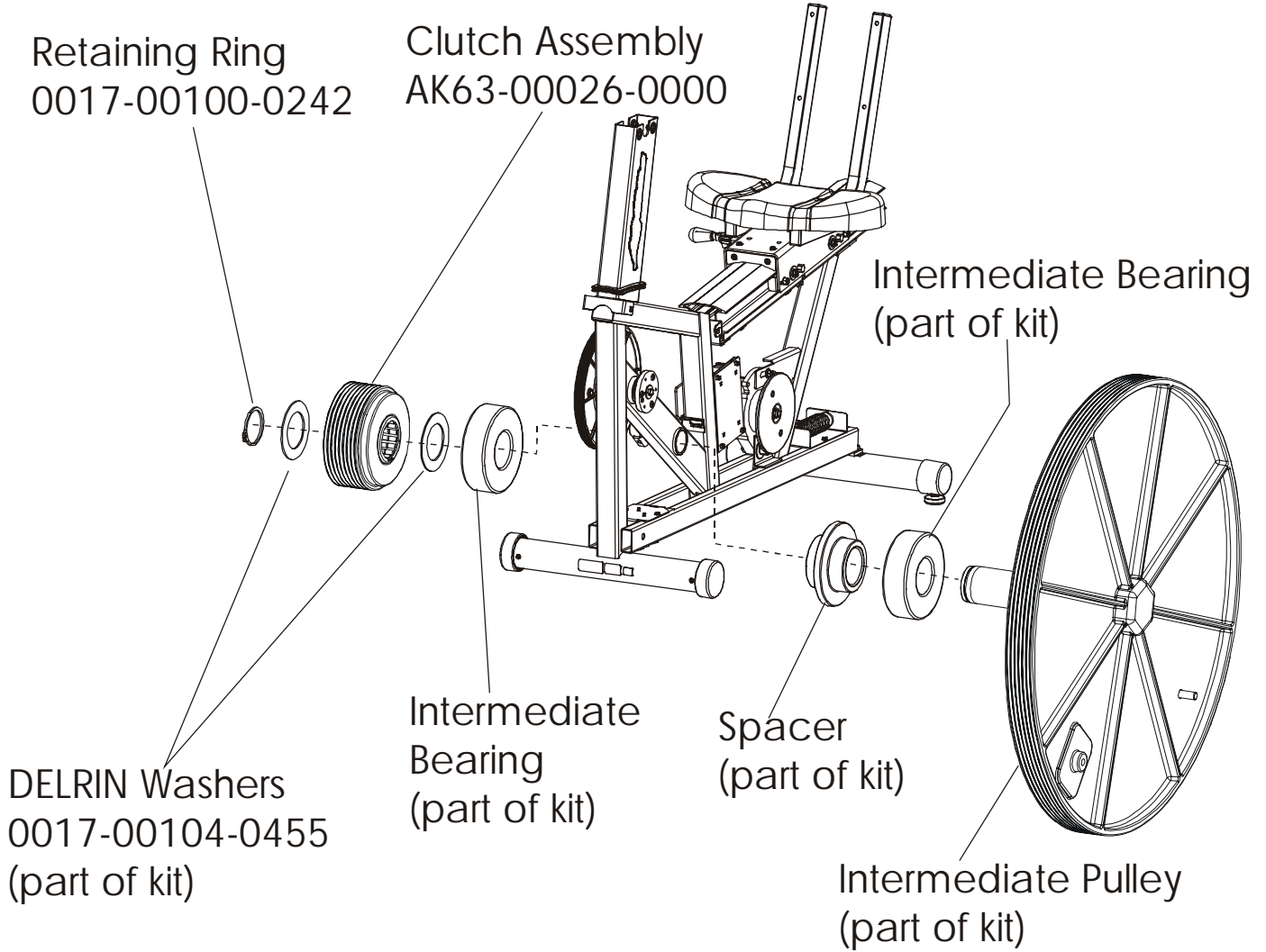


Note: All parts on this page are included in Kit #GK63-00002-0006

**LifeCycle Recumbent Bike - Model R7-0100-02 S/N CEJ100001**

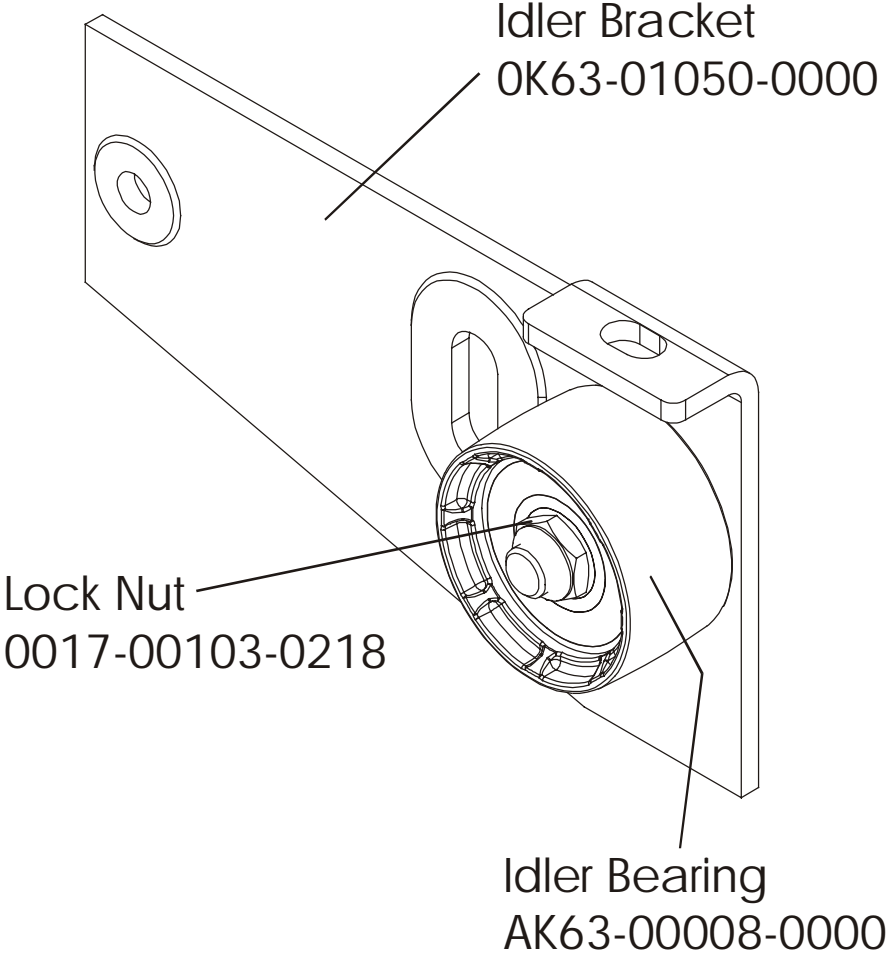
**Intermediate Shaft and Bearing Assembly – GK63-00002-0007 Kit**

---



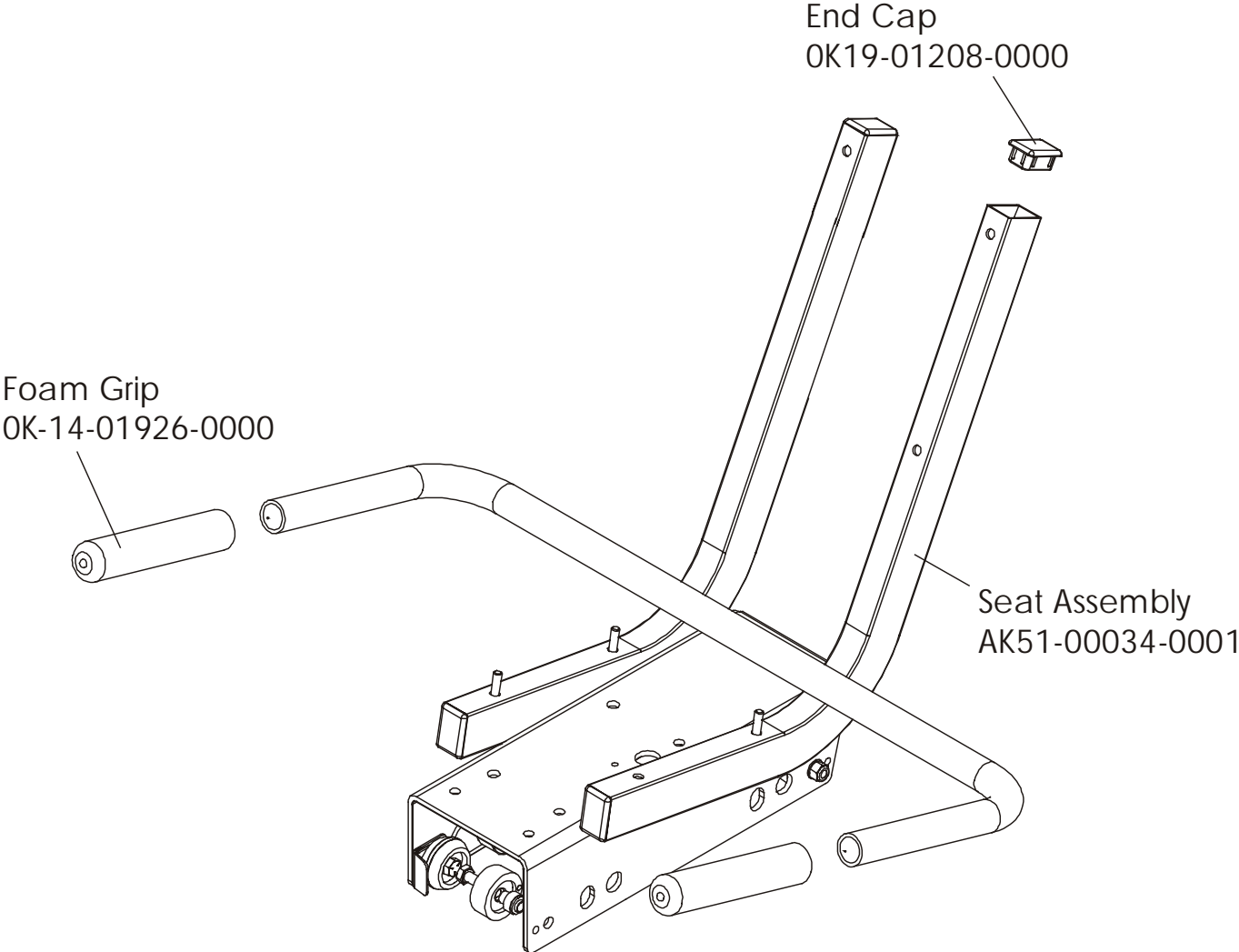
**Idler Bracket Assembly – AK63-00021-0000**

---



**Seat Assembly**

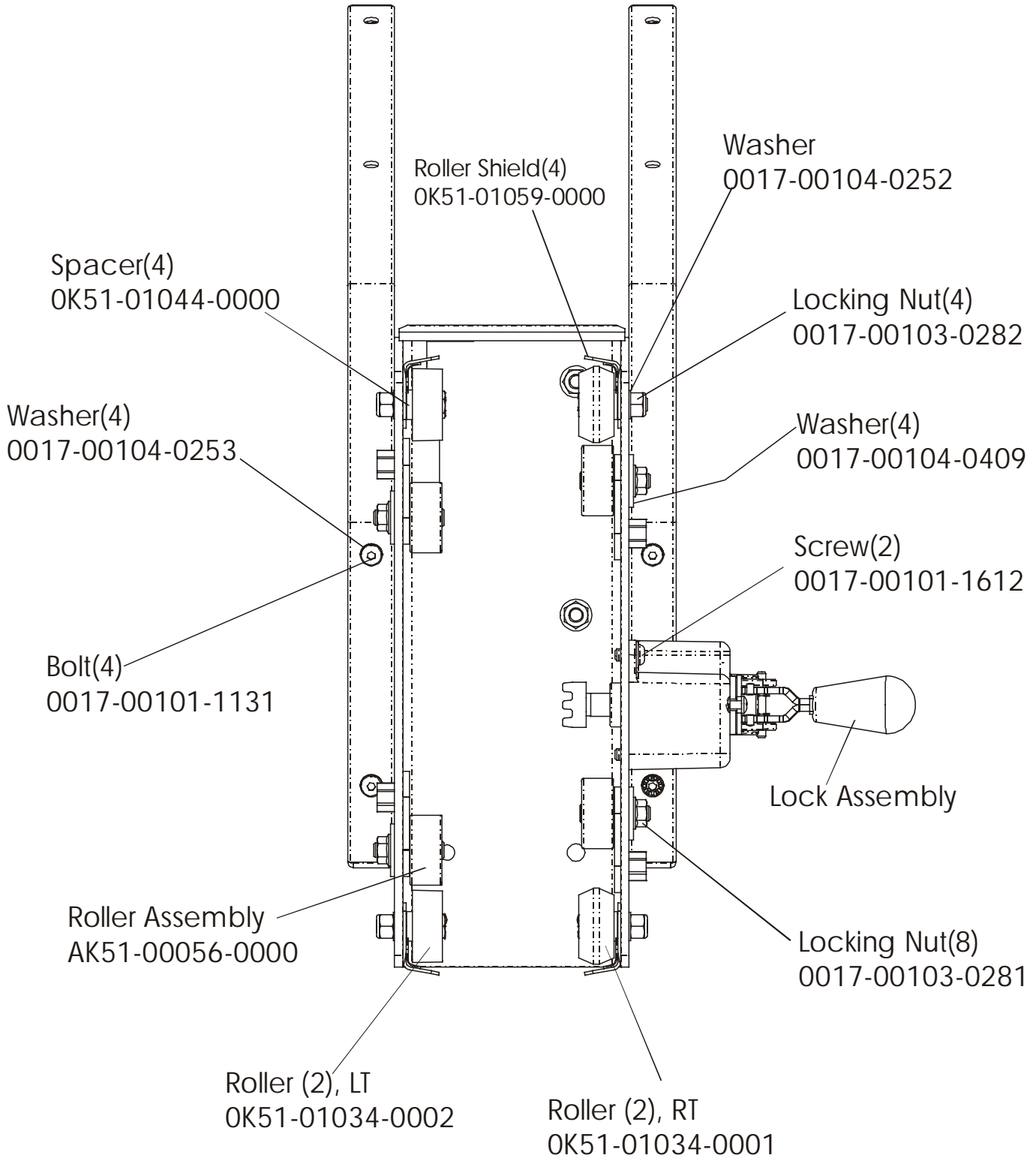
---



**LifeCycle Recumbent Bike - Model R7-0100-02 S/N CEJ100001**

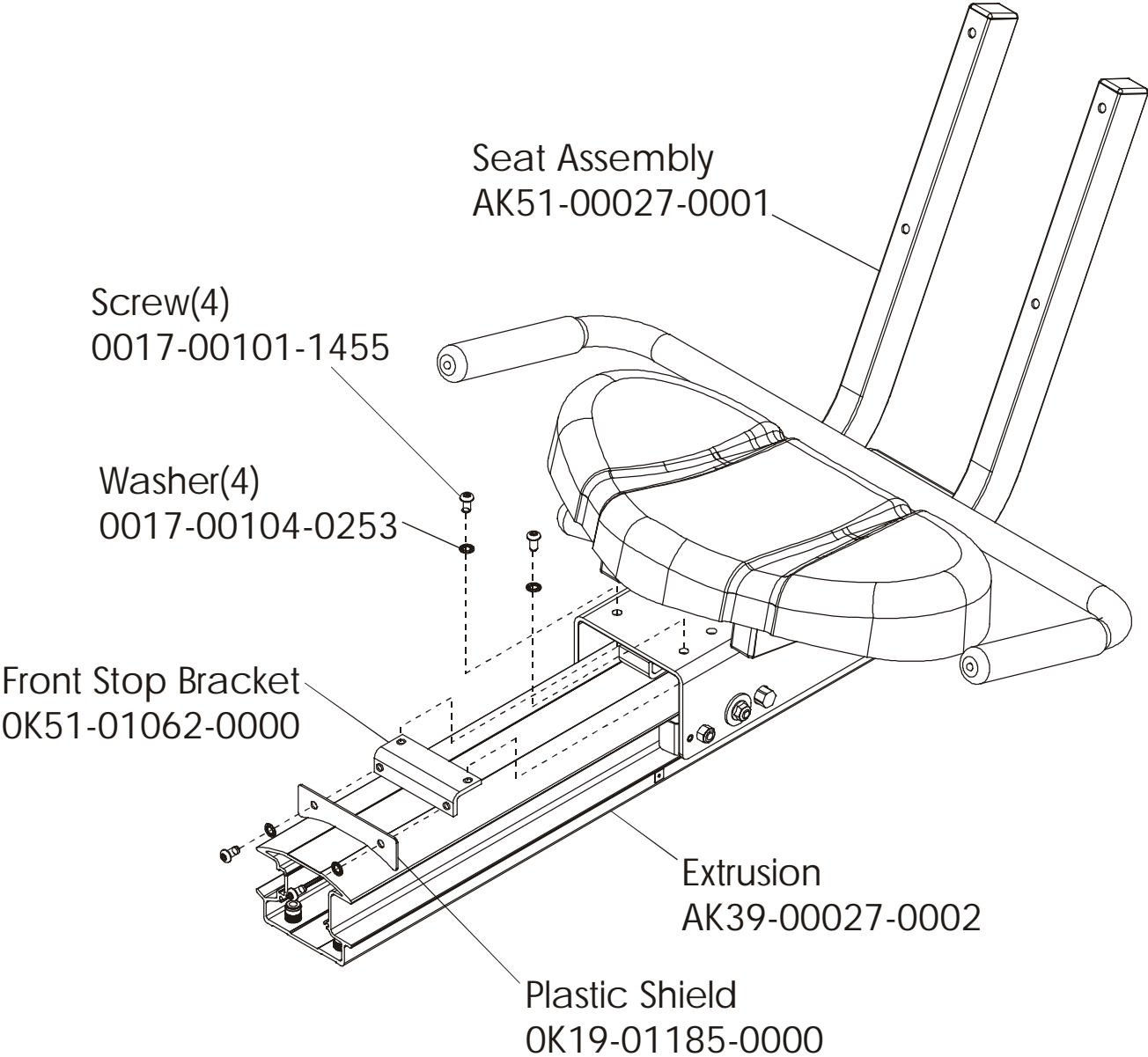
**Seat Assembly - Bottom**

---



**Seat Frame Assembly**

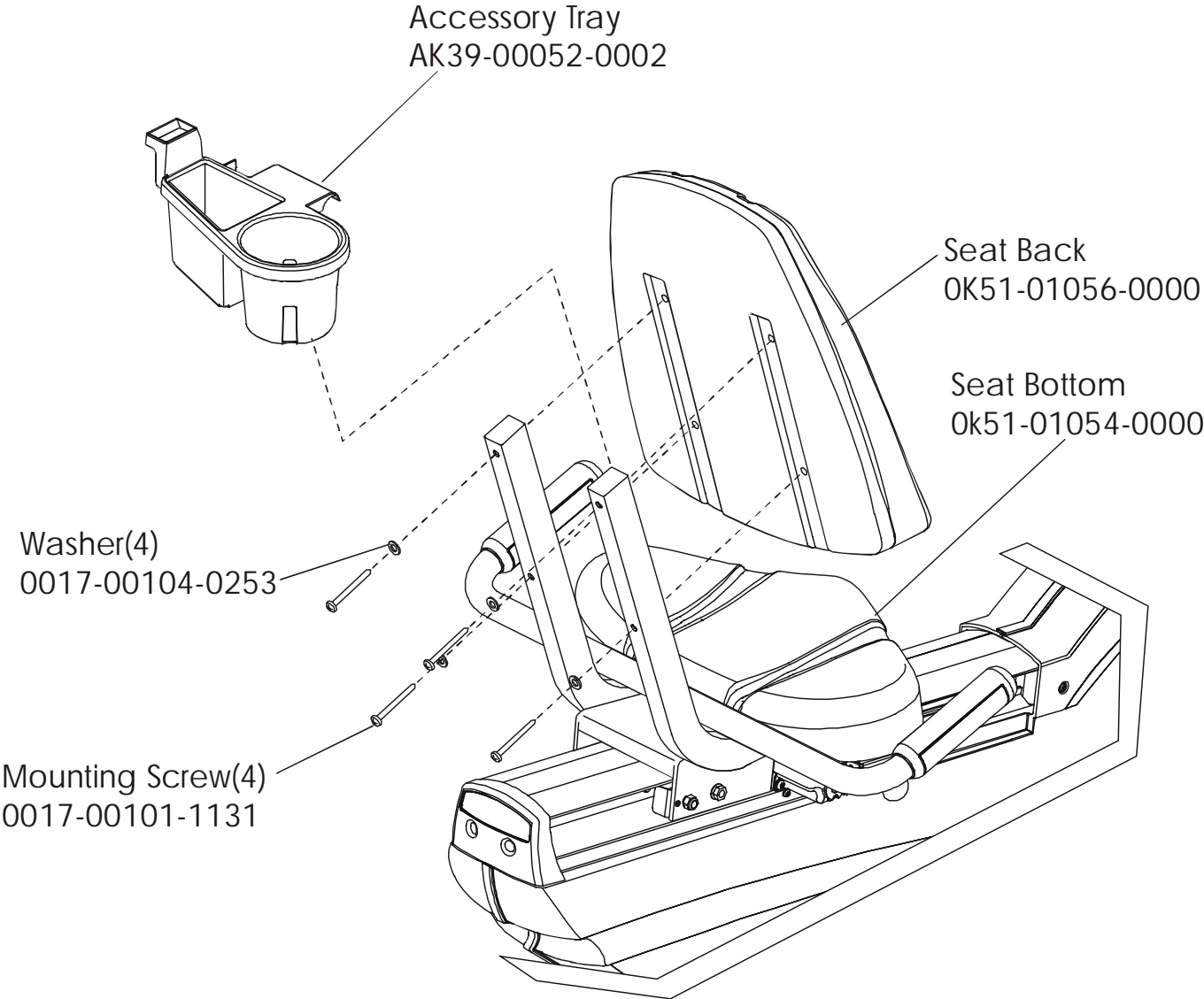
---



**LifeCycle Recumbent Bike - Model R7-0100-02 S/N CEJ100001**

**Seat Pads and Accessory Tray**

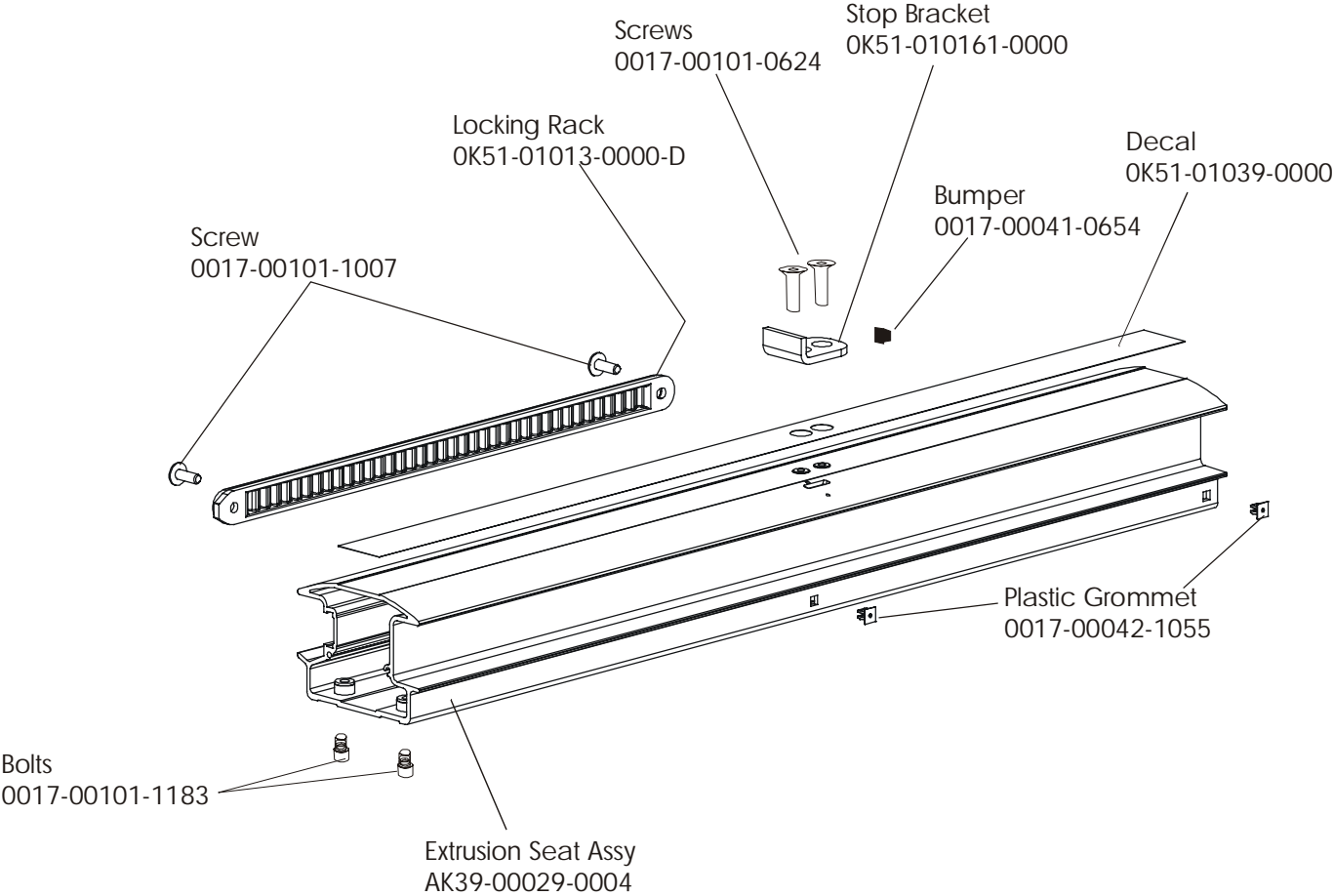
---





# LifeCycle Recumbent Bike - Model R7-0100-02 S/N CEJ100001

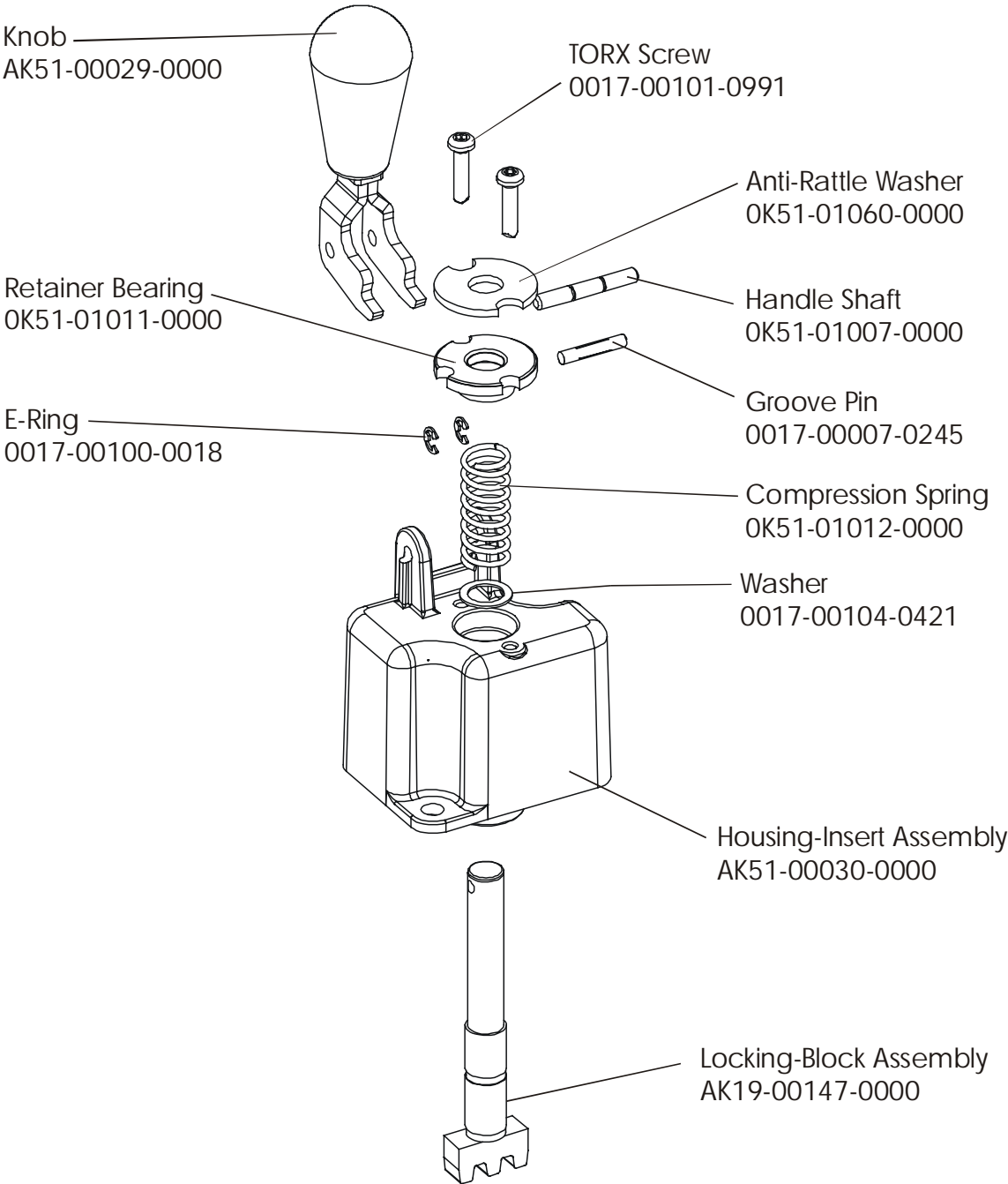
## Extrusion Assembly



**LifeCycle Recumbent Bike - Model R7-0100-02 S/N CEJ100001**

**Lock Assembly AK51-00053-00000**

---



# LifeCycle Recumbent Bike - Model R7-0100-02 S/N CEJ100001

## Cable – Block Assembly

